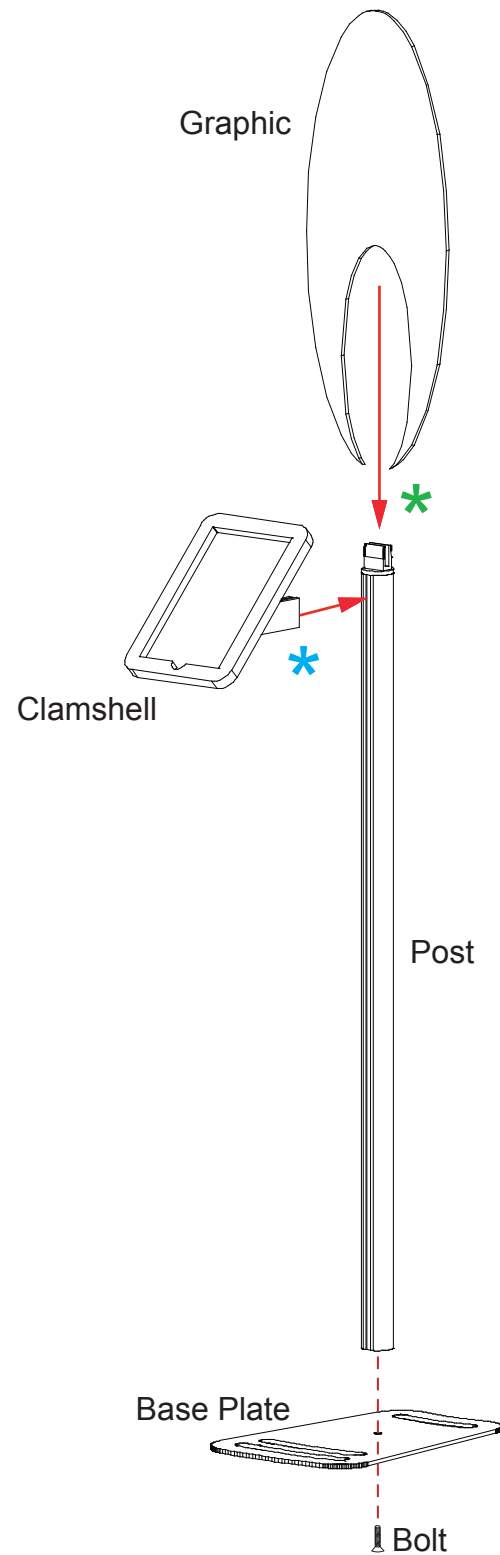
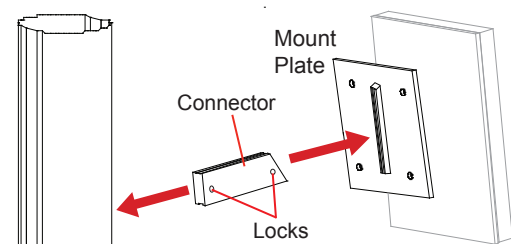


Steps:

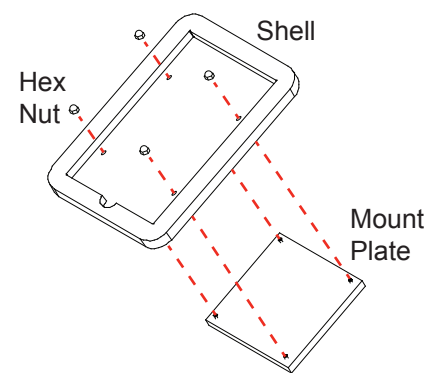
- 1) Attach Base Plate to Post, using bolt.
- 2) Attach Mount Plate to Post, then attach Shell to Mount Plate.
See [Tablet Mount Attachment](#) detail.
- 3) Insert Tablet into Shell and feed cord through holes.
See [Cord Management for Tablet](#) detail.
- 4) Attach Graphic to A-10 Clamp on top of Post. See [A10 Clamp](#) detail.



*** Tablet Mount Attachment**



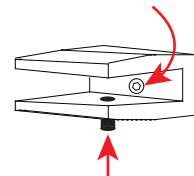
Attach flat end of Connector to Post. Attach angled end of Connector to Mount Plate. Tighten locks to secure.



Connect Shell to Mount Plate, then secure with Hex Nuts.

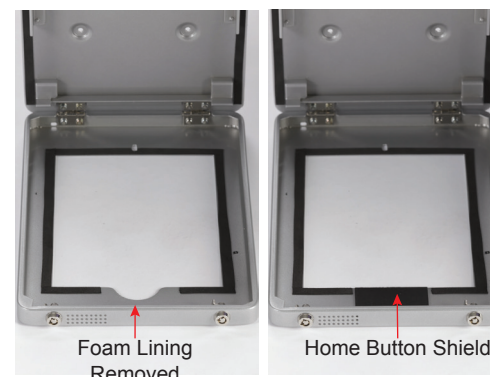
*** A10 Clamp**

Tighten set screw to secure A10 to Post.



Tighten knob to secure Graphic to A10 Clamp.

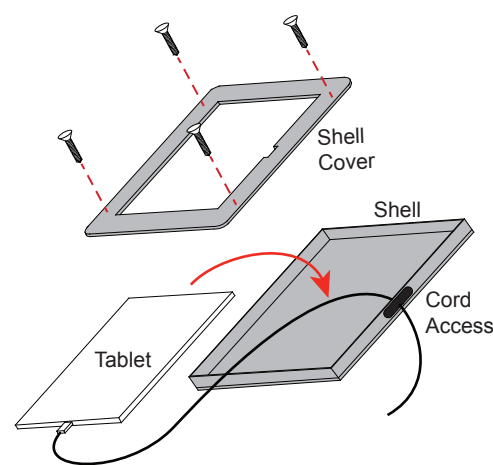
Optional Cover for Home Button



- 1) Remove foam lining from inside bottom of clamshell as shown.
- 2) Attach Home Button Shield with double-sided tape to inside of clamshell, keeping top of shield flush with clamshell opening as shown.

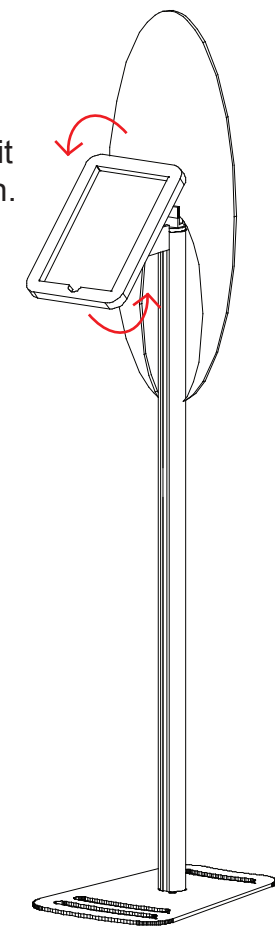
NOTE: This is a permanent fix and can't be easily removed.

Cord Management for Tablet



Attach Tablet Cord to supplied USB Extension Cord. Feed USB Cord through top hole of Post, then out bottom hole of Post. Connect to Power.

Rotate Clamshell to turn iPad from portrait to landscape orientation.



Completed Assembly

General Setup Instructions

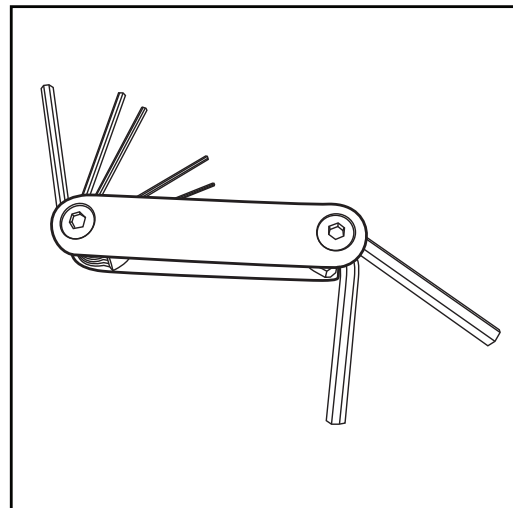
- Read entire setup instruction manual prior to unpacking parts and pieces.
- The setup instructions are created specifically for this configuration.
- Setup instructions are laid out sequentially in steps, including exploded views with detailed explanation for assembly.

Cleaning & Packing

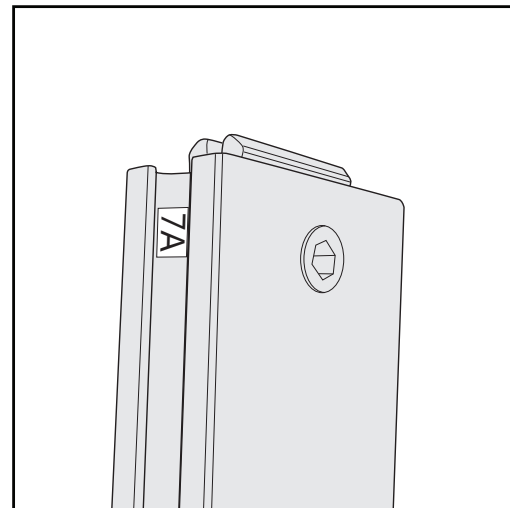
- For Cleaning Metal, Plex, & Laminate Parts: Use a **MILD NON-ABRASIVE** cleanser and soft cloth/paper towel to clean all surfaces.
- Keep exhibit components away from heat and prolonged sun exposure.
Heat and UV exposure will warp and fade components.
- Retain all provided Packing Materials. All provided packing materials are for ease of repacking & component protection.

Disassembly

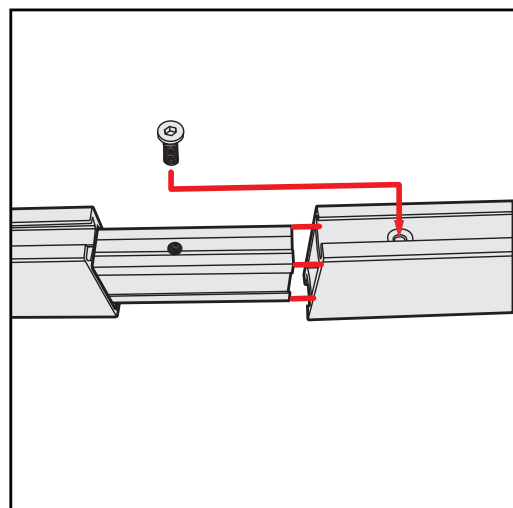
- For loss prevention, tighten all setscrews and locks during disassembly



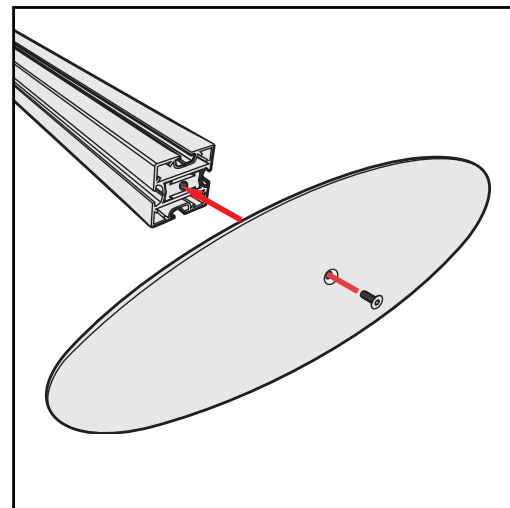
Hex Tool - Essential for Assembly



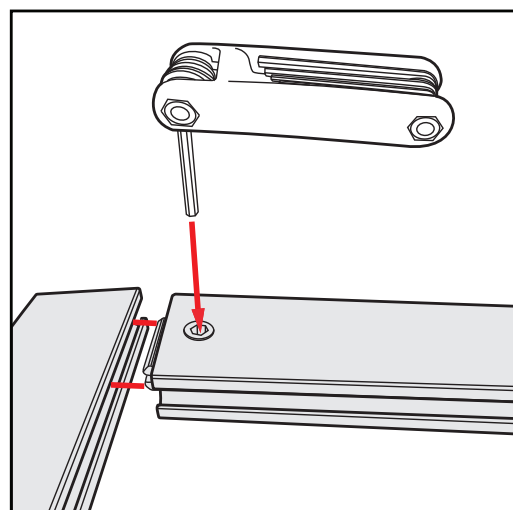
Part Identification - Numbering



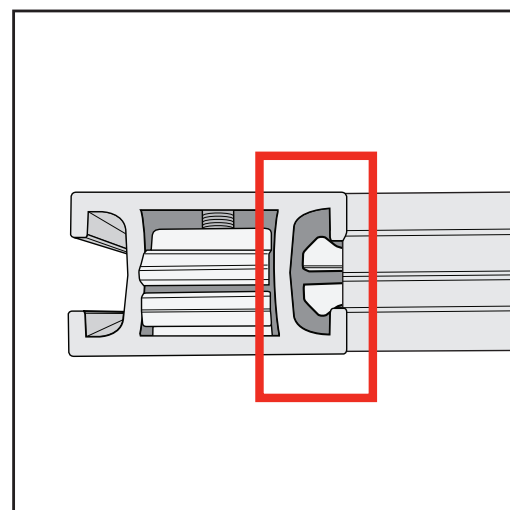
Spline Connection



Base Plate & Extrusion Connection



Extrusion & Lock Connection



Engaged Lock



WARNING



DO NOT USE POWER TOOLS



LADDERS OR LIFTS
MAY BE REQUIRED



ALL CONNECTIONS MUST
BE TIGHTLY SECURED