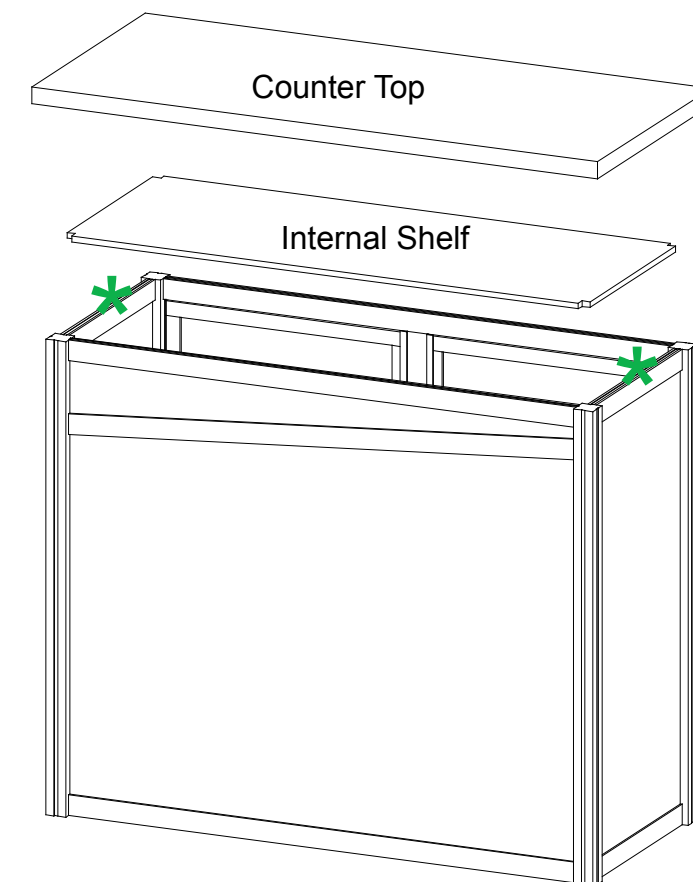
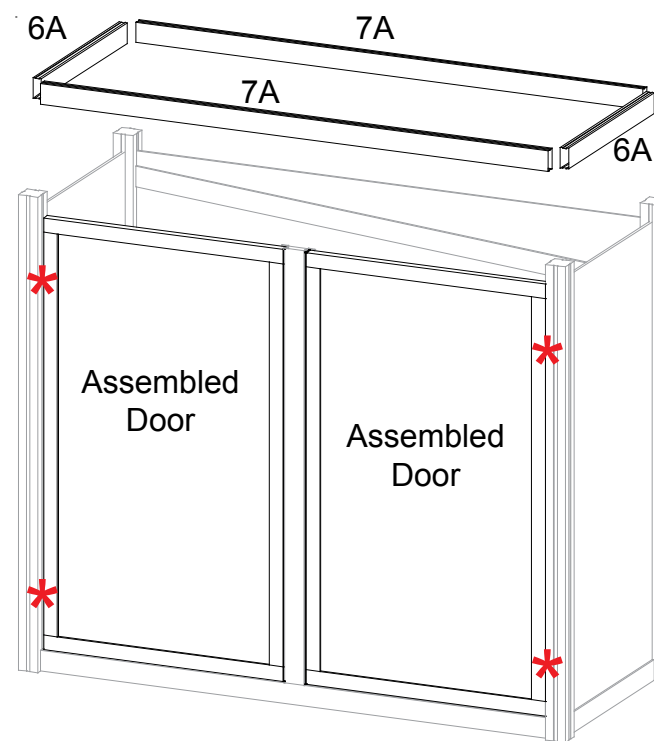
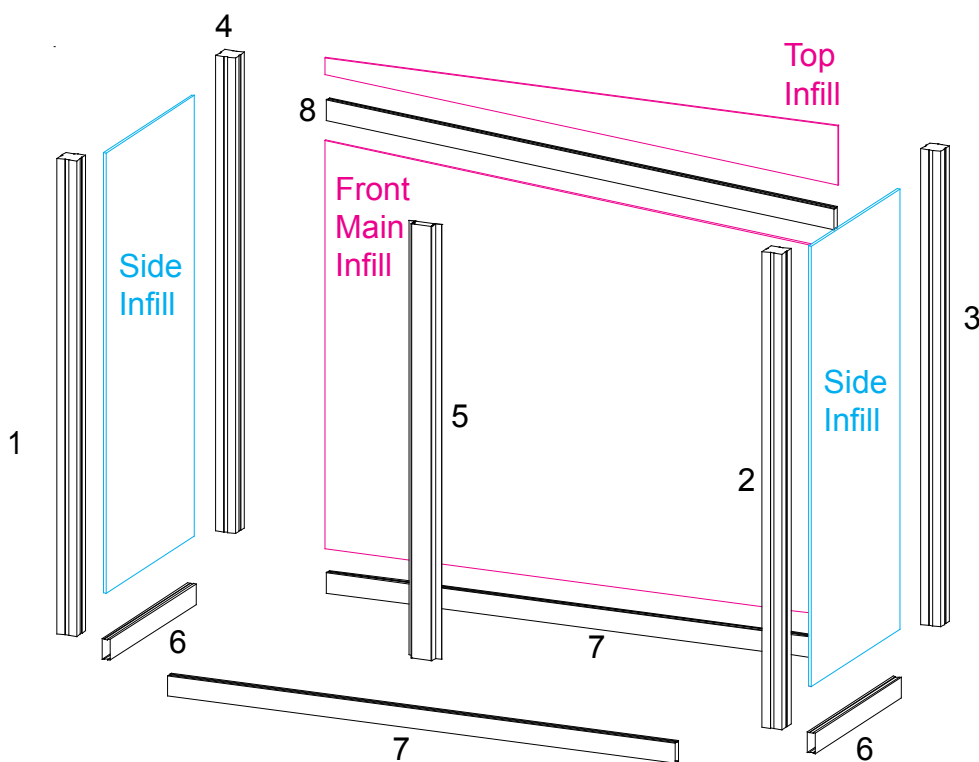
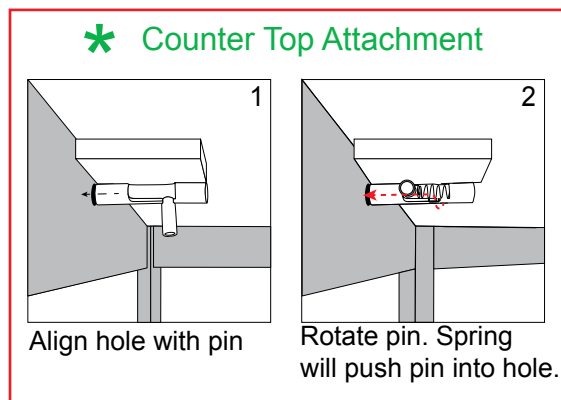
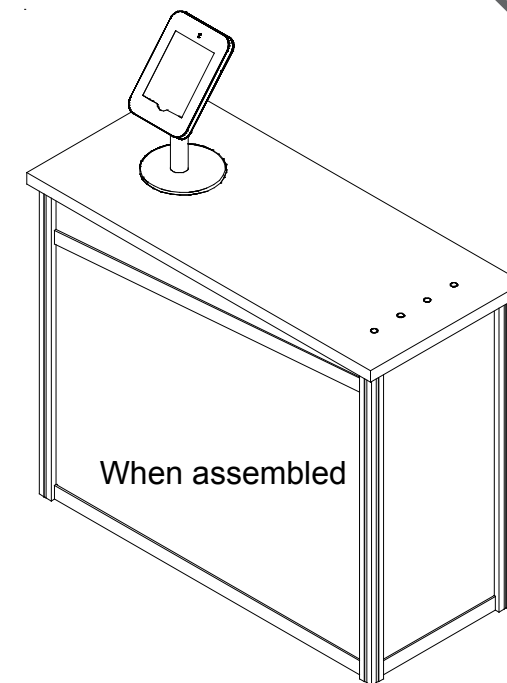
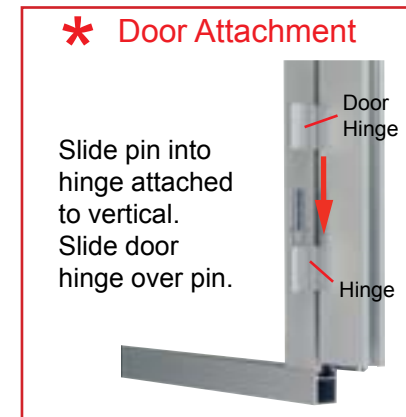


Item	Qty.	Description
1	1	41.5"h S44 Vertical Extrusion w/ hinges
2	1	41.5"h S44 Vertical Extrusion w/ hinges
3	1	41.5"h S44 Vertical Extrusion
4	1	41.5"h S44 Vertical Extrusion
5	1	37.9173"h Z45 Vertical Extrusion w/ Door Stops
6/6A	2/2	17.378"w Z45 Horizontal Extrusion
7/7A	2/2	46.378"w Z45 Horizontal Extrusion
8	1	46.378"w Z45 Horizontal Extrusion

Steps:

- 1) Connect horizontals [6] between verticals [1&4] & [2&3].
- 2) Attach horizontals [7] between verticals [1&2] & [3&4].
- 3) Insert side infills between verticals [1&4] & [2&3].
- 4) Insert Front Main Infill between verticals [3] & [4]; secure with horizontal [8].
- 5) Insert Top Infill between verticals [3] & [4]; secure with horizontal [7A].
- 6) Connect horizontals [6A] between verticals [1&4] & [2&3].
- 7) Attach horizontal [7A] between verticals [1] & [2].
- 8) Install cabinet doors to hinges located on verticals [1] & [2]. See **Door Attachment** detail.
- 9) Attach shelf supports to velcro on interior of assembled cabinet; place Internal Shelf on supports.
- 10) Connect counter top to top of assembled cabinet body. See **Counter Top Attachment** detail.



General Setup Instructions

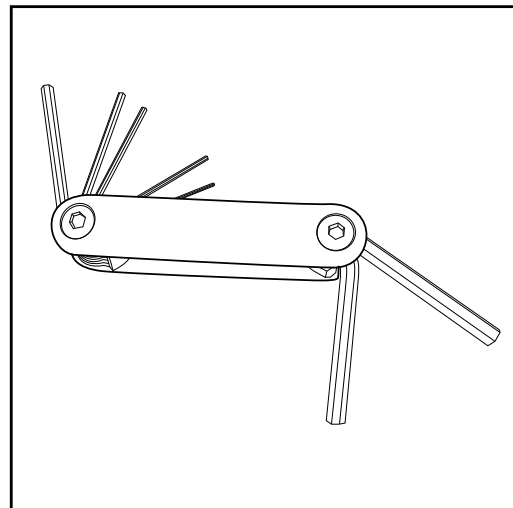
- Read entire setup instruction manual prior to unpacking parts and pieces.
- The setup instructions are created specifically for this configuration.
- Setup instructions are laid out sequentially in steps, including exploded views with detailed explanation for assembly.

Cleaning & Packing

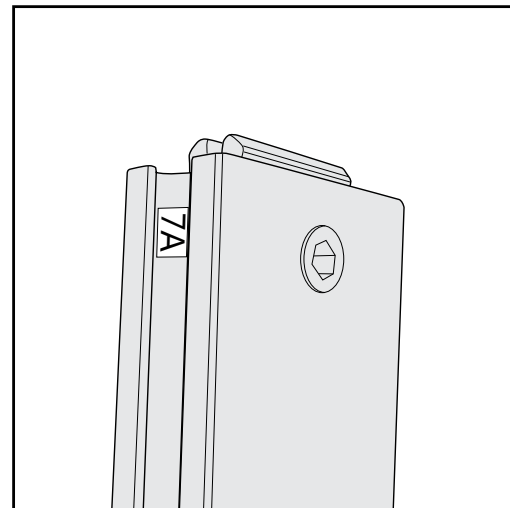
- For Cleaning Metal, Plex, & Laminate Parts: Use a **MILD NON-ABRASIVE** cleanser and soft cloth/paper towel to clean all surfaces.
- Keep exhibit components away from heat and prolonged sun exposure.
Heat and UV exposure will warp and fade components.
- Retain all provided Packing Materials. All provided packing materials are for ease of repacking & component protection.

Disassembly

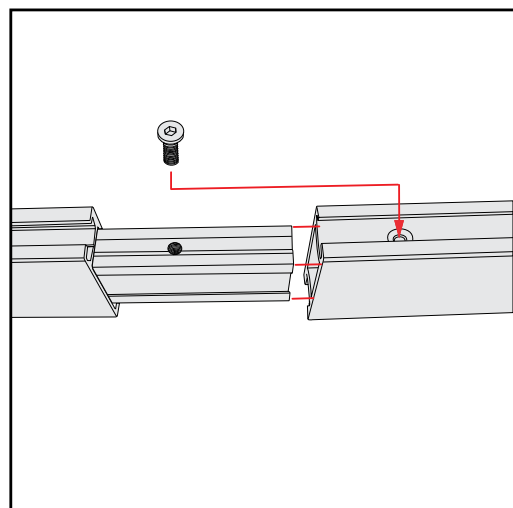
- For loss prevention, tighten all setscrews and locks during disassembly



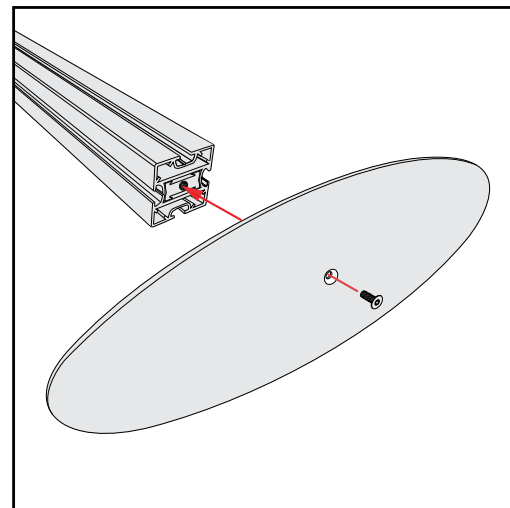
Hex Tool - Essential for Assembly



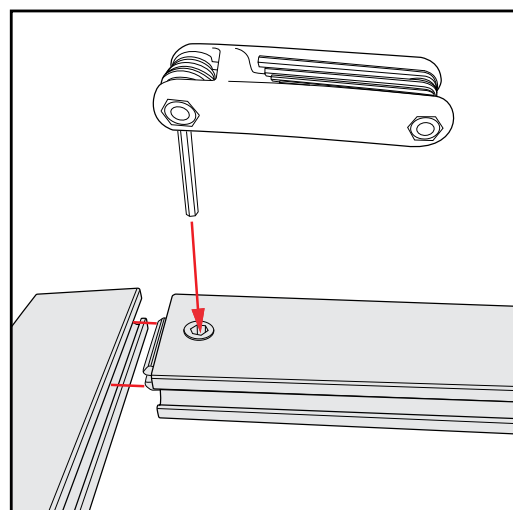
Part Identification - Numbering



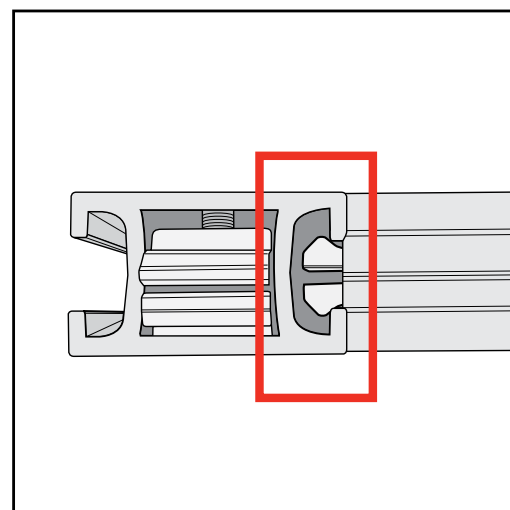
Spline Connection



Base Plate & Extrusion Connection



Extrusion & Lock Connection



Engaged Lock



WARNING



DO NOT USE POWER TOOLS



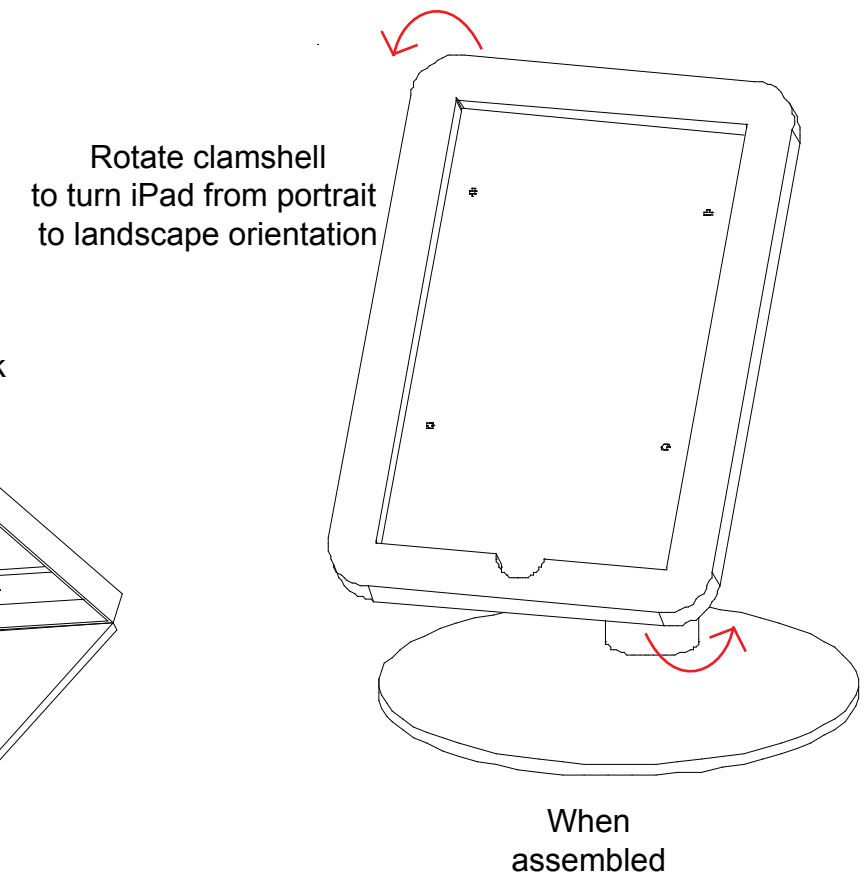
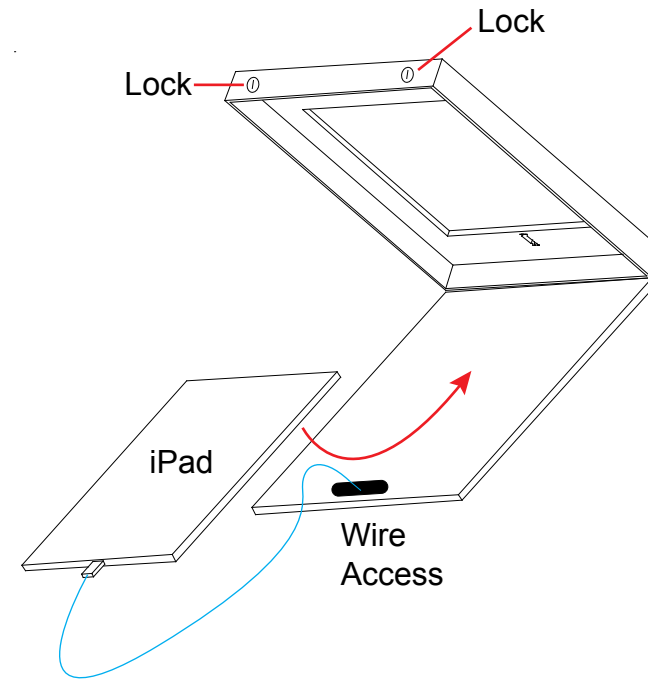
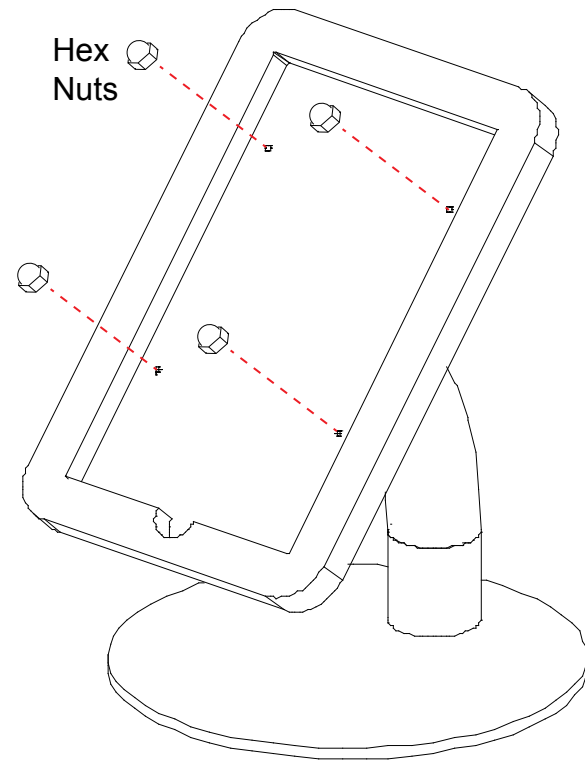
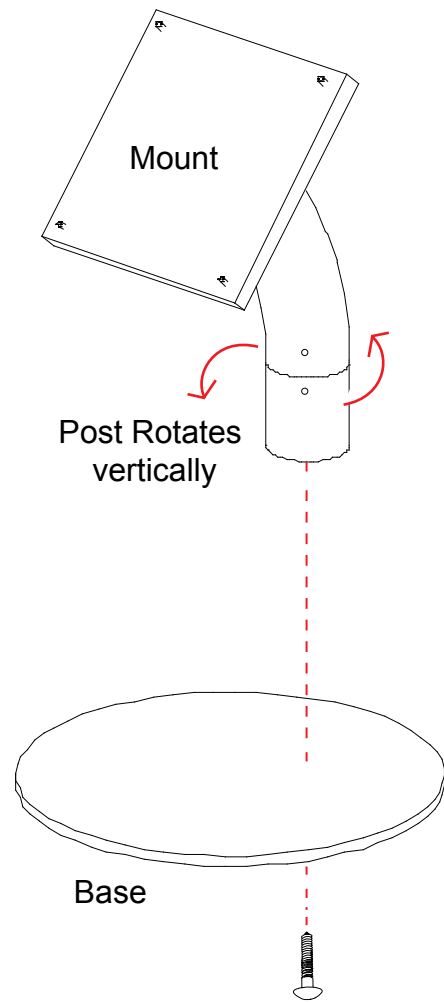
LADDERS OR LIFTS
MAY BE REQUIRED



ALL CONNECTIONS MUST
BE TIGHTLY SECURED

Steps:

- 1) Attach base [1] to post using bolt.
- 2) Attach square plates [4] to curved vertical using bolts.
NOTE: Square plate [4] must rotate to left and right before installing clamshell.
- 3) Attach clamshells [5] to square plates [4] using hex nuts.
- 4) Insert iPad and feed wire through holes as shown in detail.



Optional Cover for Home Button

Foam Lining Removed

Home Button Shield

- 1) Remove foam lining from inside bottom of clamshell as shown.
- 2) Attach Home Button Shield with double-sided tape to inside of clamshell, keeping top of shield flush with clamshell opening as shown.

NOTE: This is a permanent fix and can't be easily removed.