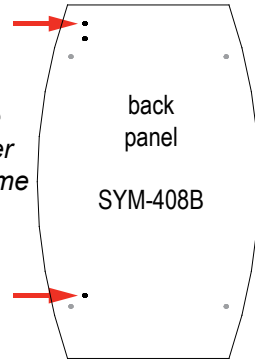


Back Panel Hole Placement

Holes on back panel of Counter are off-center to attach to backwall vertical.

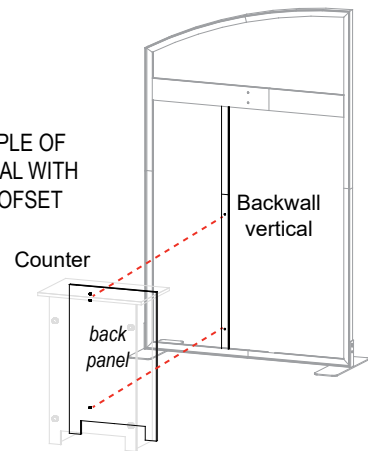
Back panel of counter may be rotated for either left- or right-frame configuration.



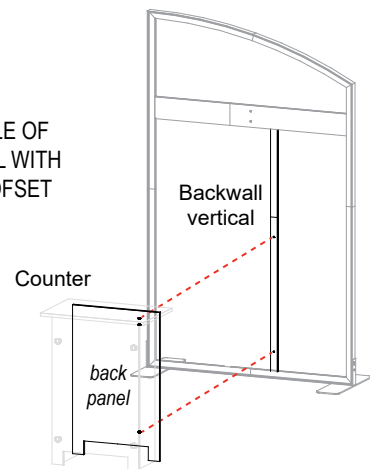
When assembling counter, align holes of back panel to vertical extrusion of backwall frame.

Counter should be *centered* on backwall frame when installed.

EXAMPLE OF VERTICAL WITH LEFT OFFSET

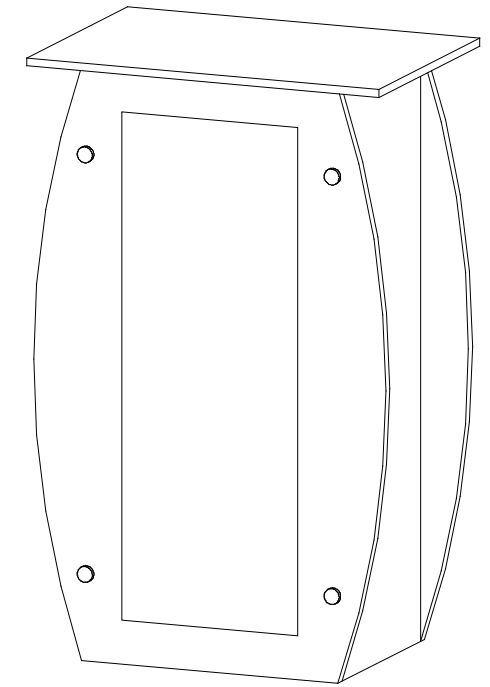
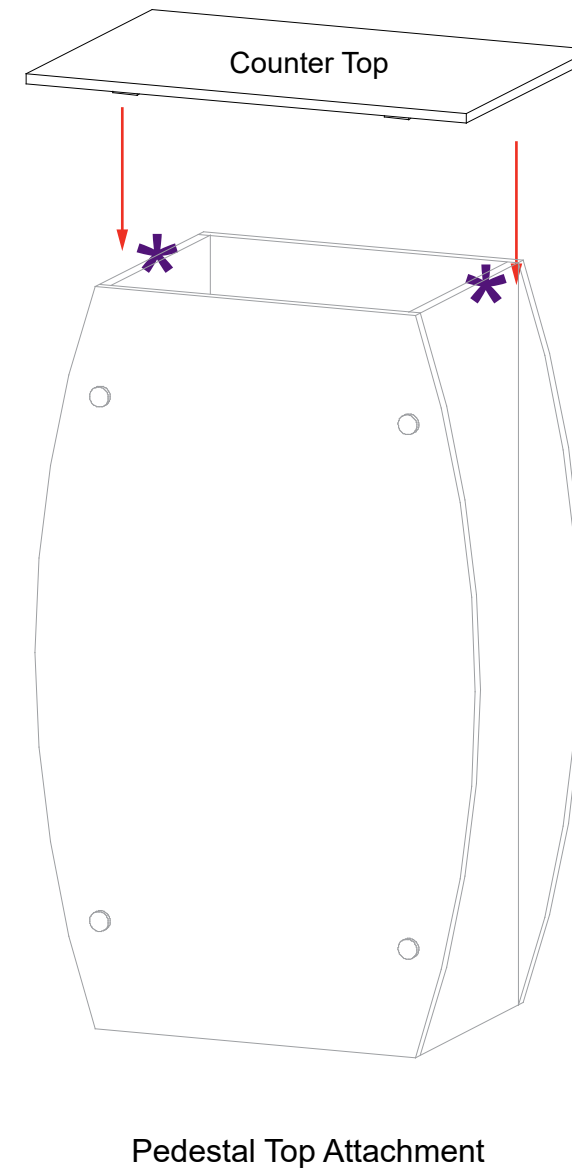
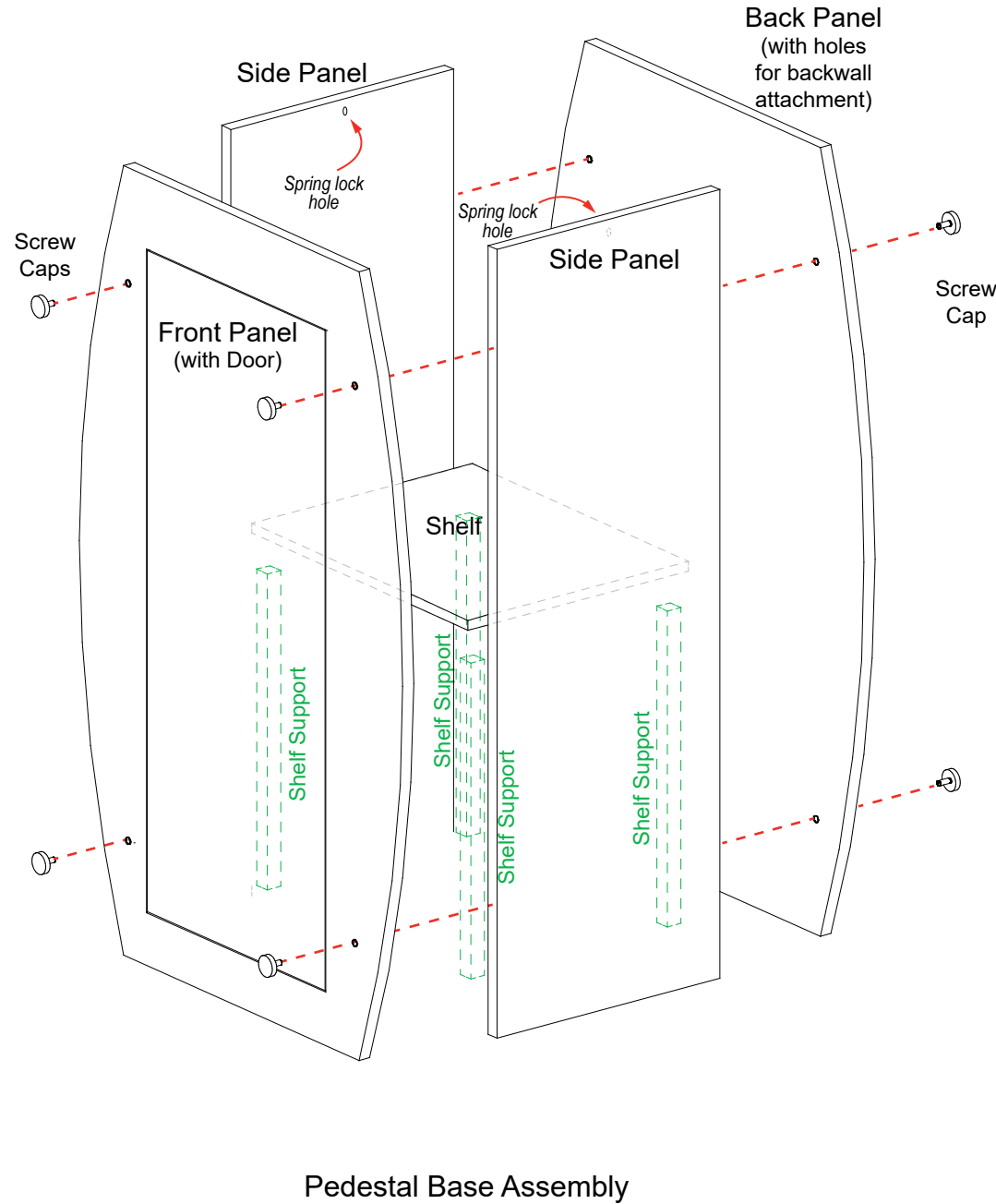


EXAMPLE OF VERTICAL WITH RIGHT OFFSET



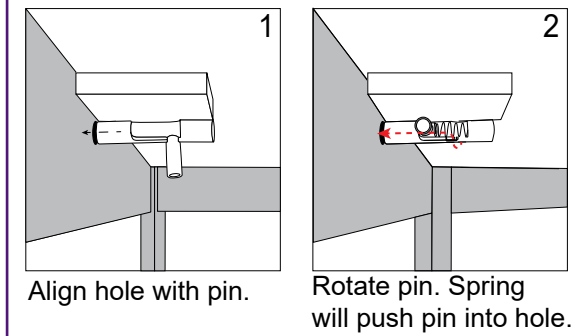
Steps:

- 1) Use screw caps to secure side panels to front & back panels. Ensure holes of back panel are correctly aligned for backwall attachment.
- 2) Connect shelf supports with Velcro inside of panels, then place shelf on top of supports.
- 3) Attach Counter Top to assembled pedestal base. See Counter Top Attachment detail.



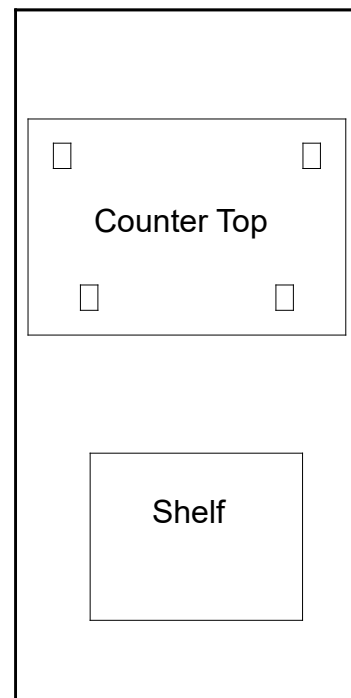
When assembled
SYM-408B Backwall Counter

*** Counter Top Attachment**

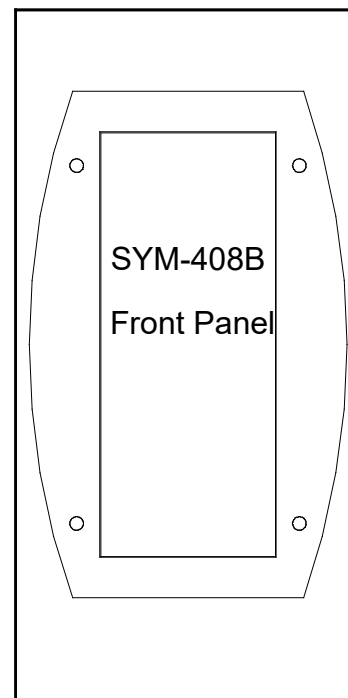


SETUP INSTRUCTIONS

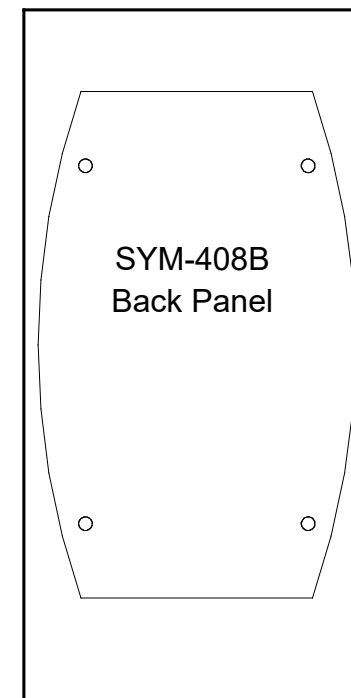
Top View of Each Level



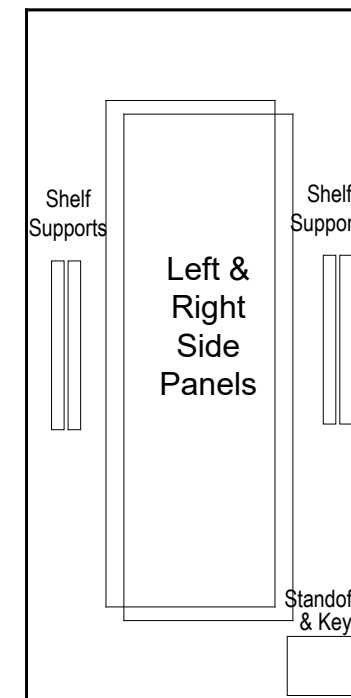
Level 1
(Bottom level)



Level 2



Level 3



Level 4