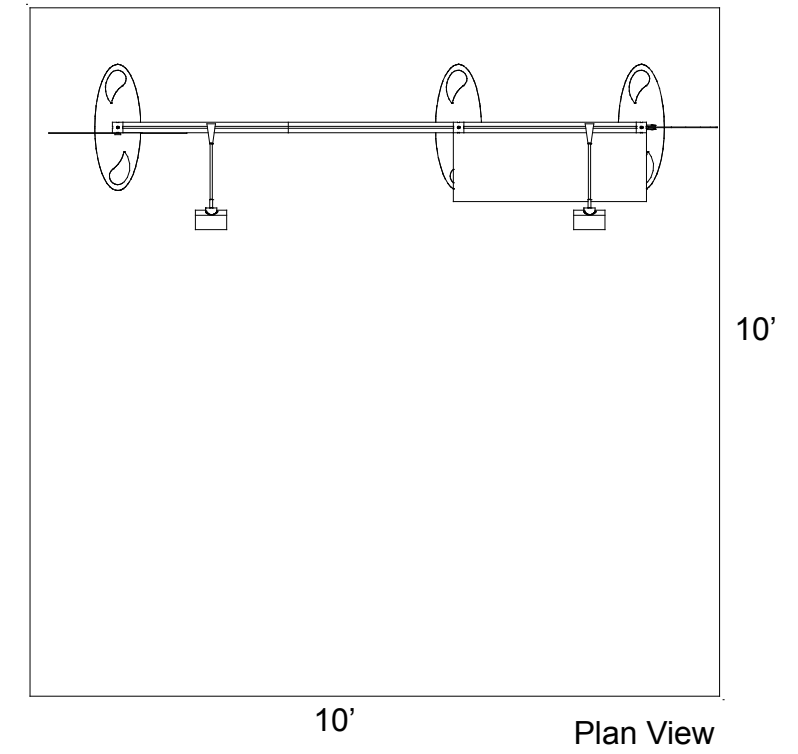
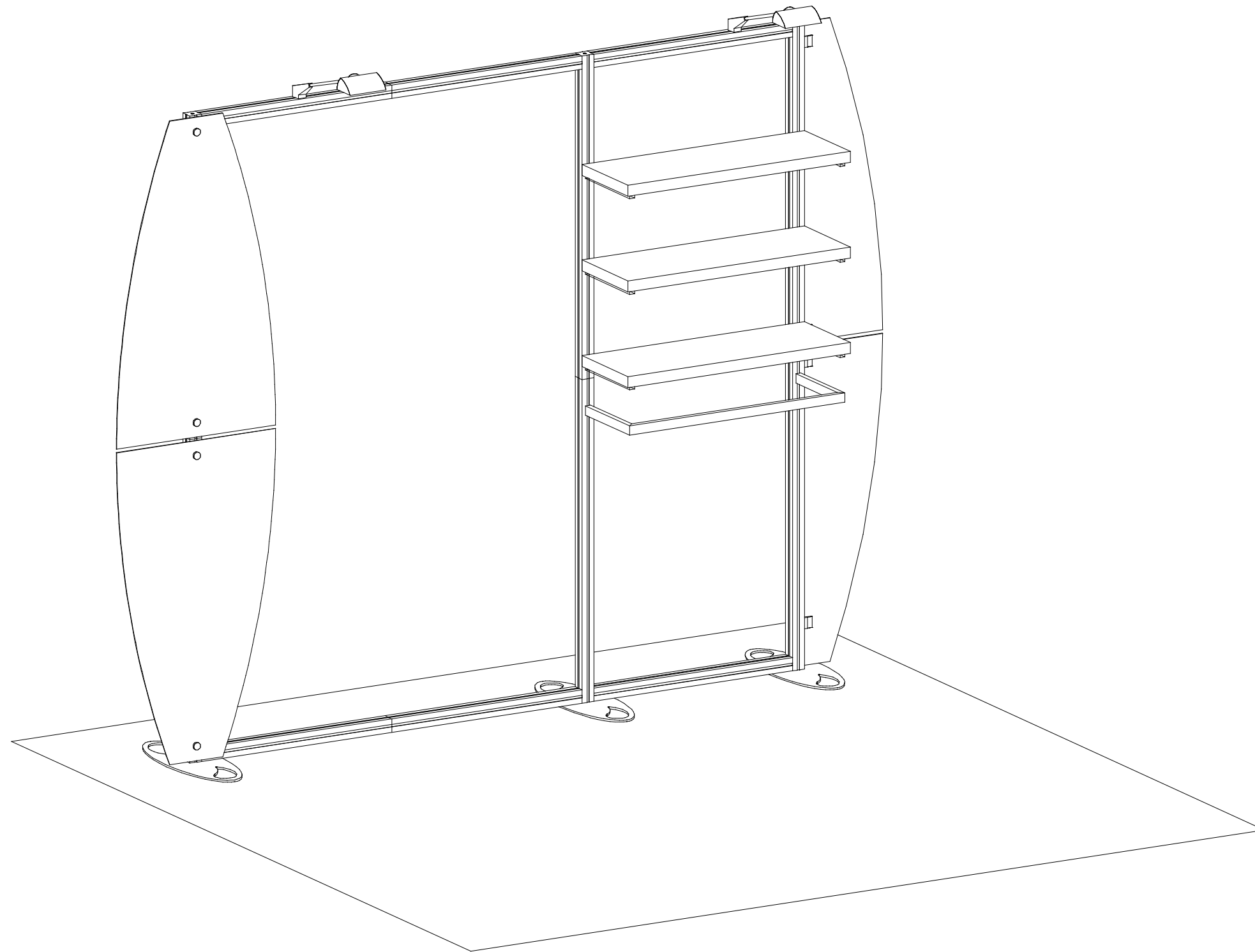


Order #49736 - ECO-1048 10'x10' Portable Sustainable Exhibit



Setups

General Setup Instructions

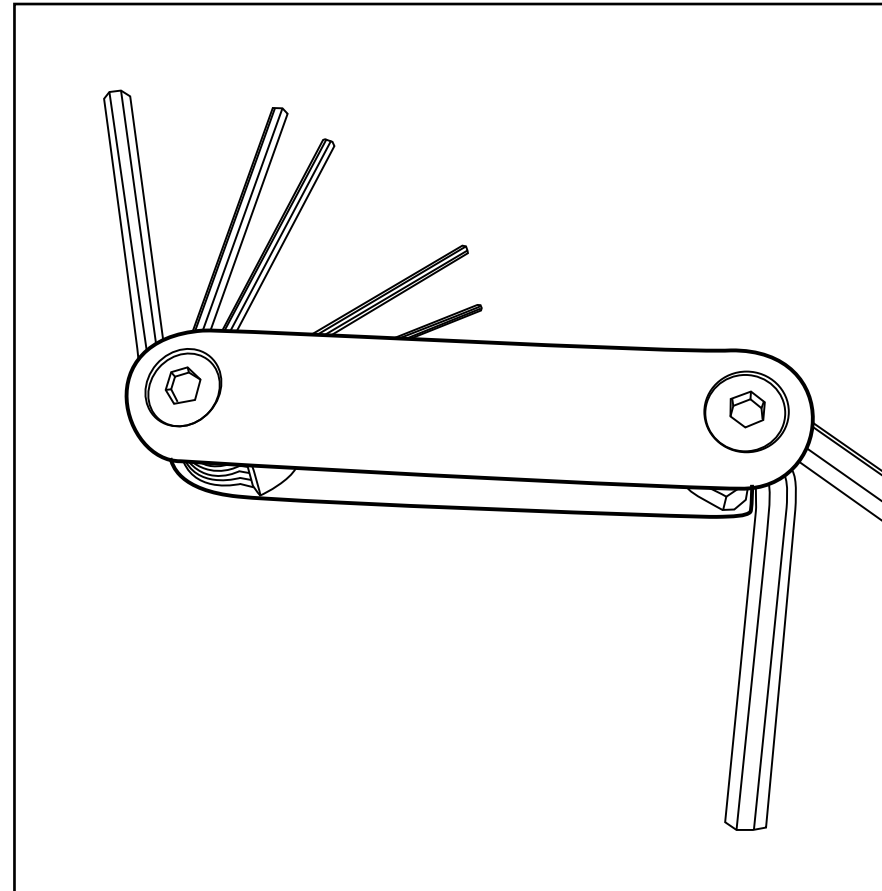
- The setup instructions are created specifically for your configuration.
- Setup instructions are laid out sequentially in levels, including exploded views and a logical series of steps for assembly. We encourage you to study the instructions before attempting to assemble your exhibit.

Cleaning and Packing

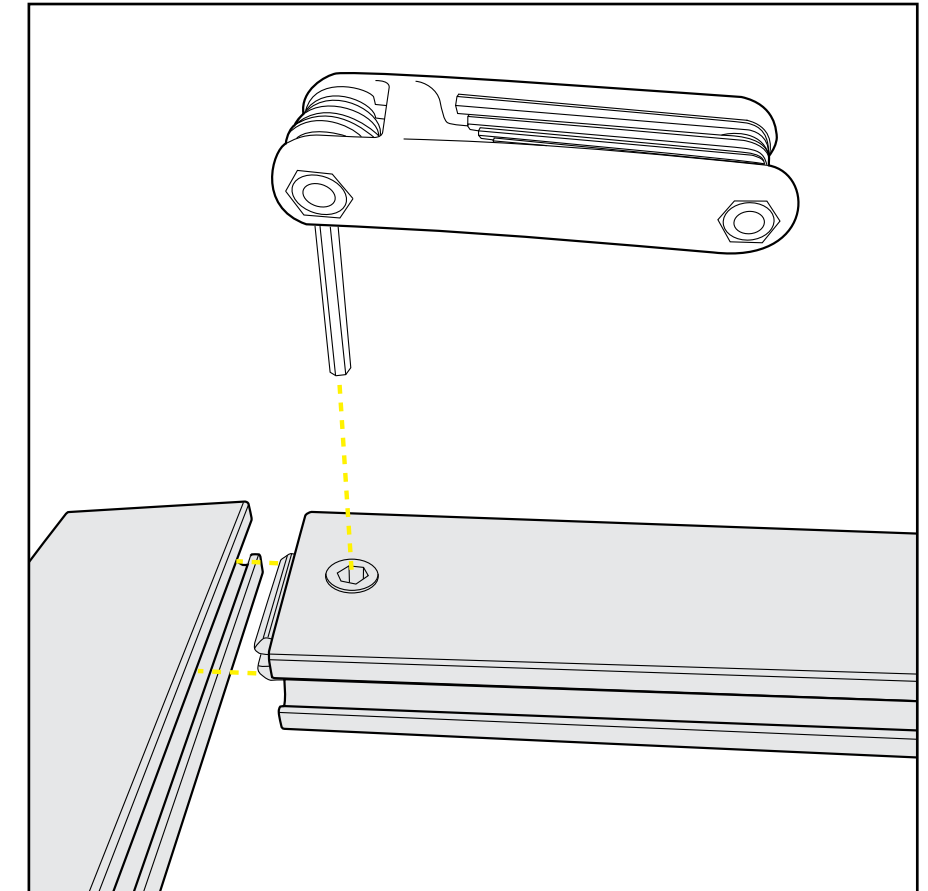
- Use non-abrasive cleaners when cleaning extrusions or ECO Glass inserts.
- Use mild cleaners and soft materials such as cotton to clean all laminates.
- Keep exhibit components away from extreme heat and long exposure to sun light. This will prevent warping and fading.
- Retain all packing material for ease of re-packing. This protects the exhibit components and keeps each part organized.

Disassembling

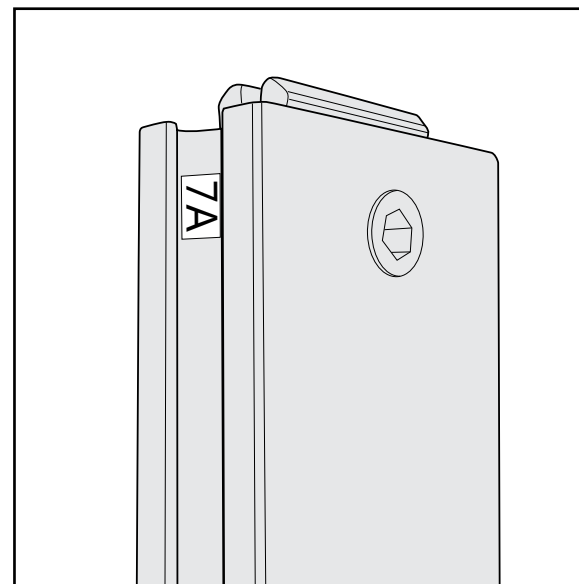
- When disassembling exhibit, tighten all setscrews to prevent loss of hardware in the shipping process.



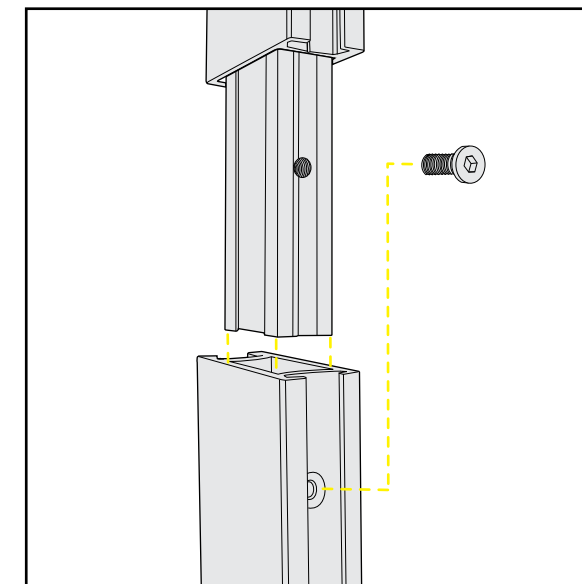
Hex Tool for Assembling Exhibit



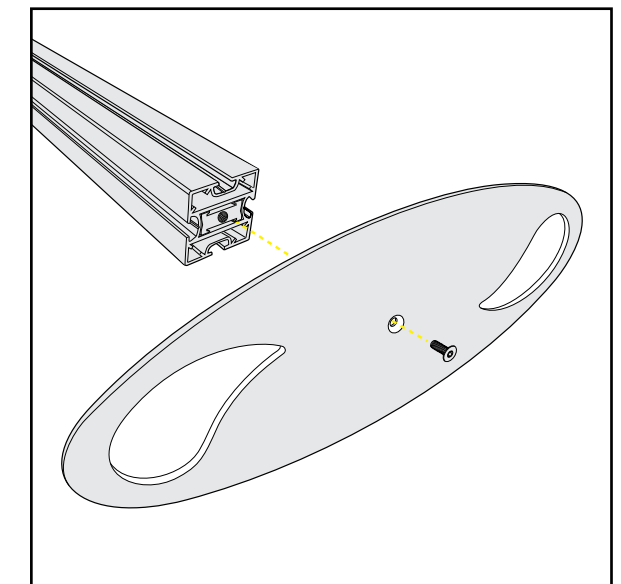
Extrusion Lock Connectors



Numbering Instructions for Setups/Packing



Inline Connection between Extrusions



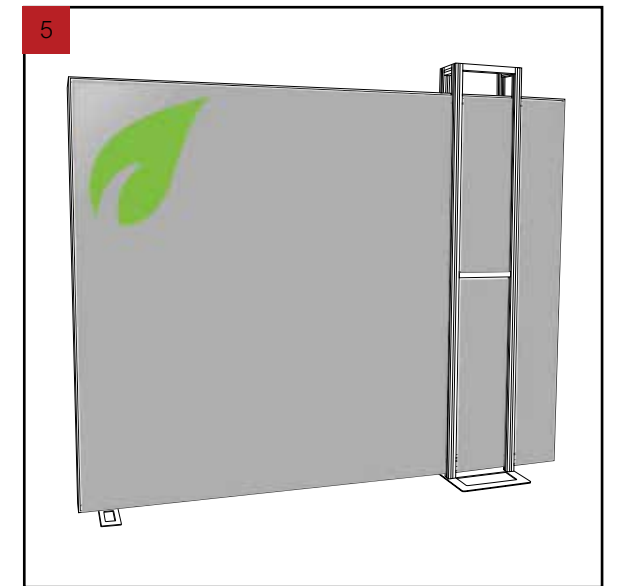
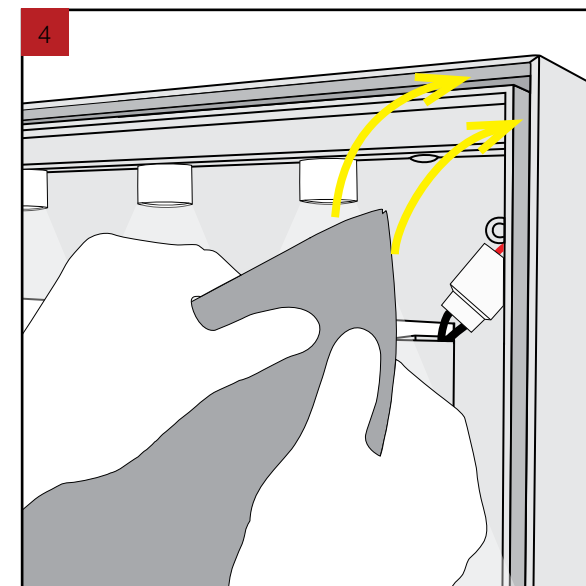
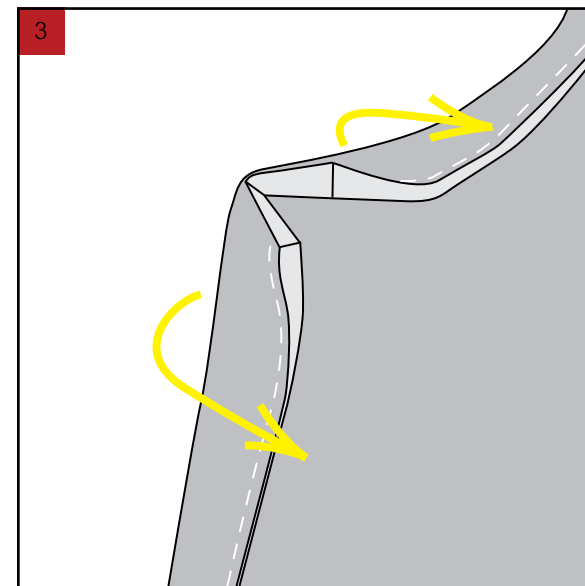
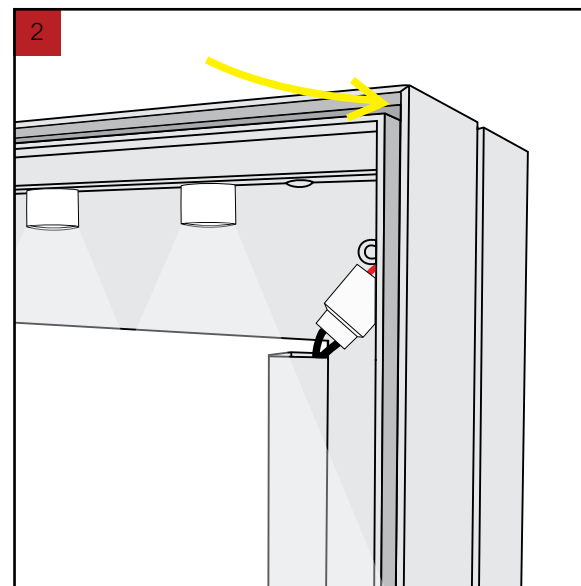
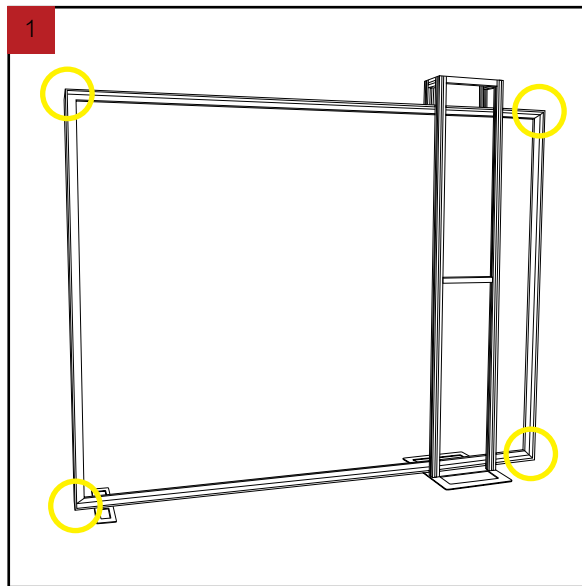
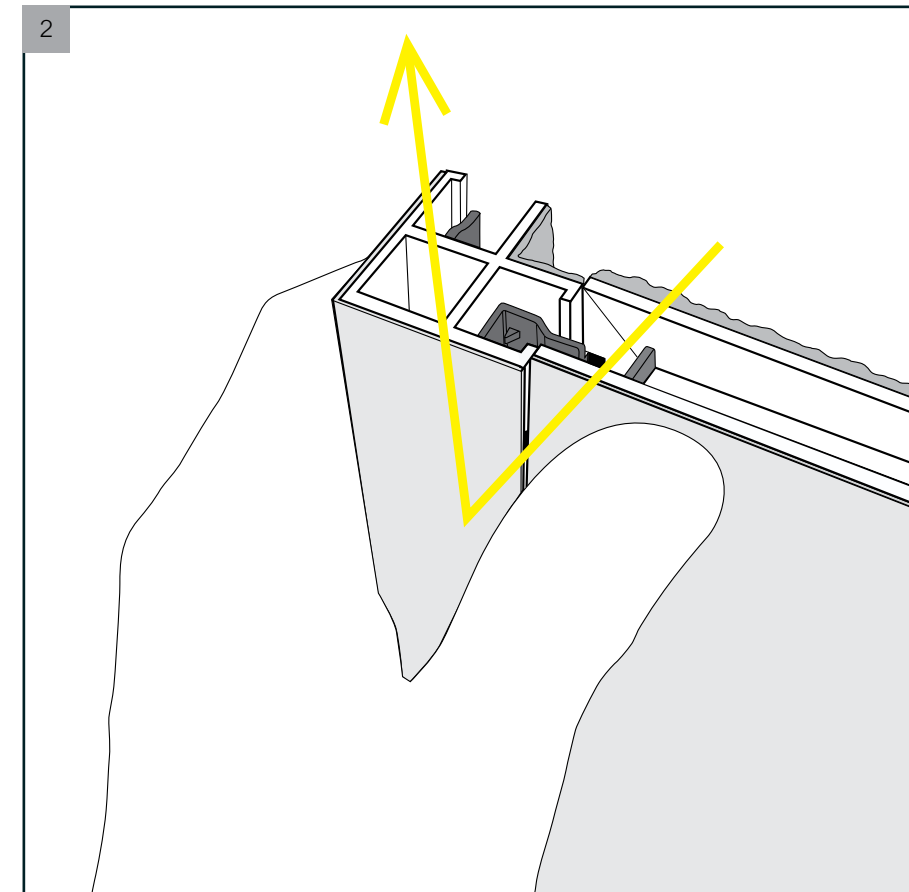
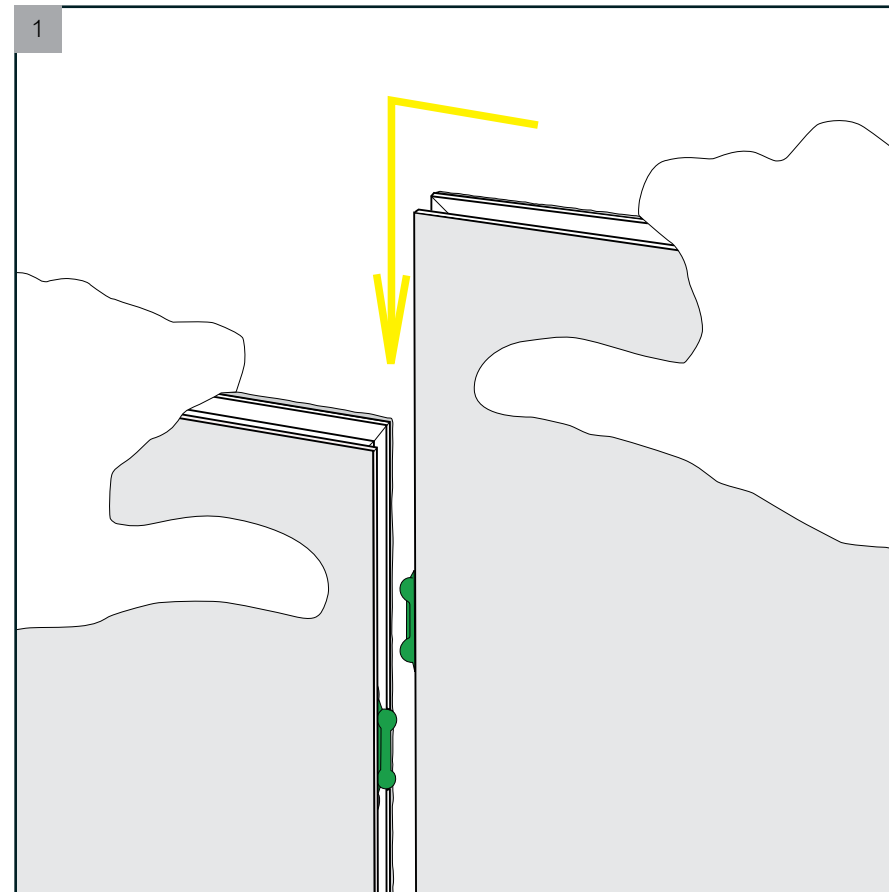
Baseplate Connection for Vertical Extrusions

ECO Panel Install

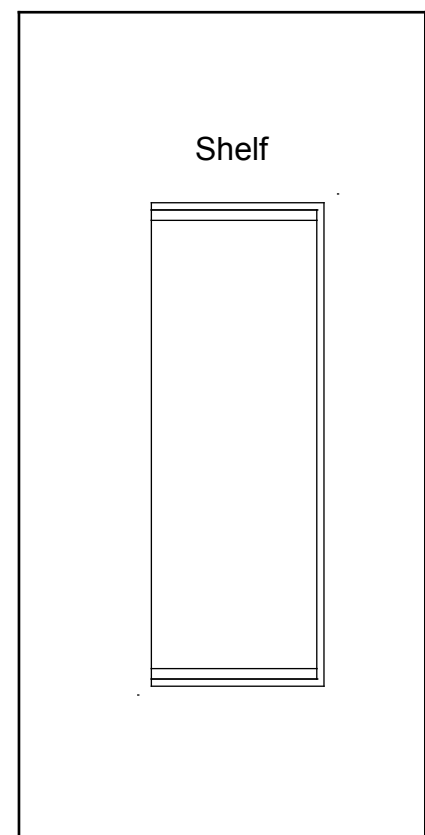
- 1 Place ECO panel together with a vertical offset, slide down to lock connector in place.
- 2 Panel Corner Connectors are installed just like ECO panels. Remove by off-setting top lock clips horizontally followed by separating vertically.

SEG Graphic Install

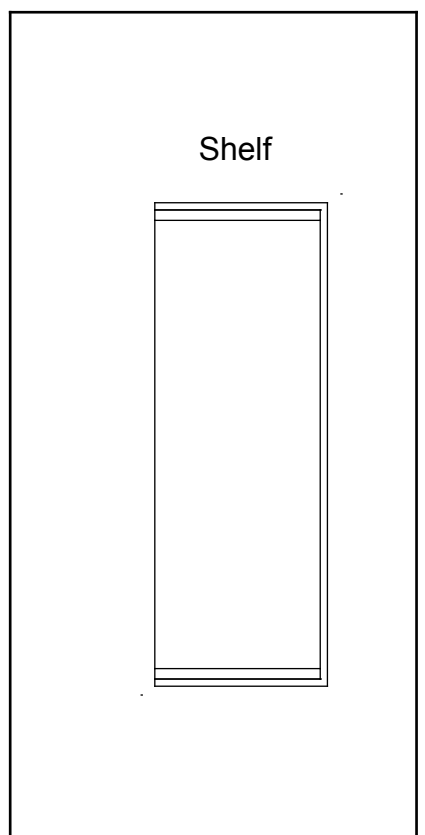
- 1 Graphic is installed corners first. This allows a proportional fit around the perimeter of the extrusion.
- 2 Locate channels along the edge of the extrusions.
- 3 Fold over graphic (hiding threads) and tuck silicon edge and fabric into corners.
- 4 After corners are complete, slide in the rest of the graphic into channel. (From edges to center)
- 5 Graphic is installed. Stand back and be amazed!



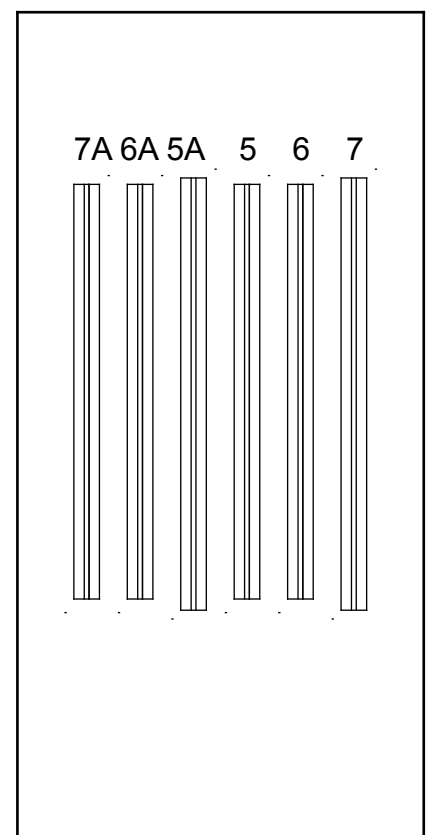
Top View of Each Level



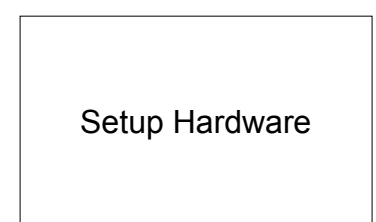
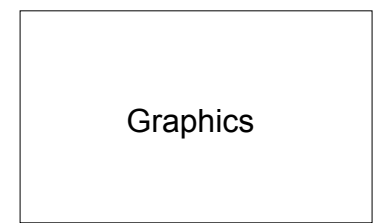
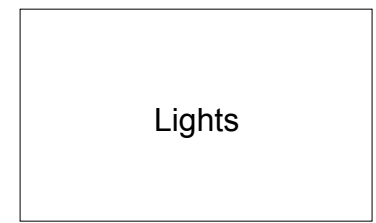
Level 1



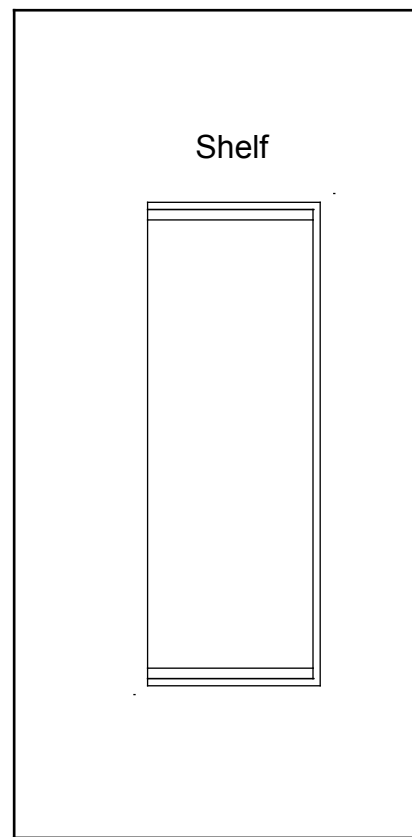
Level 2



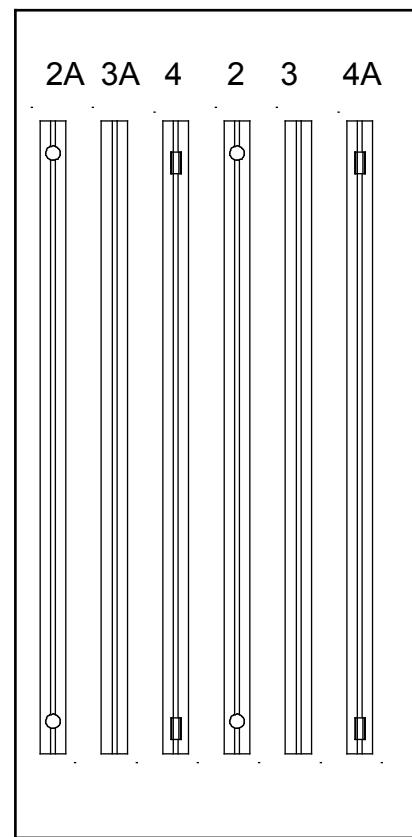
Level 3



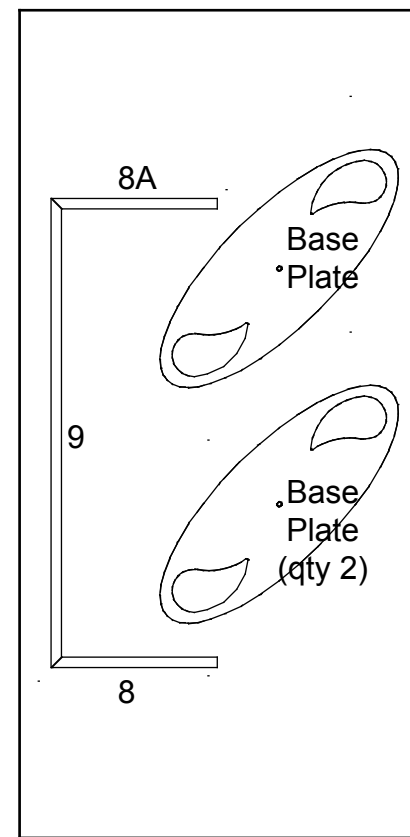
Top View of Each Level



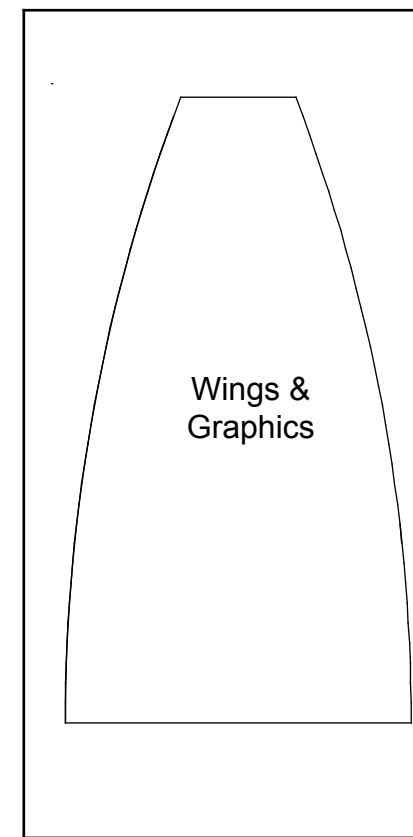
Level 1



Level 2



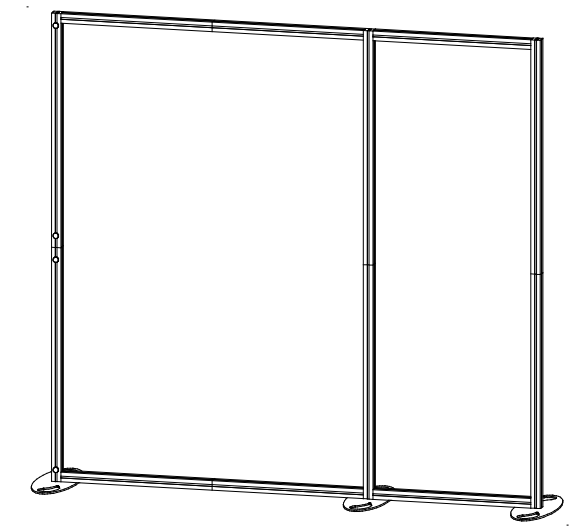
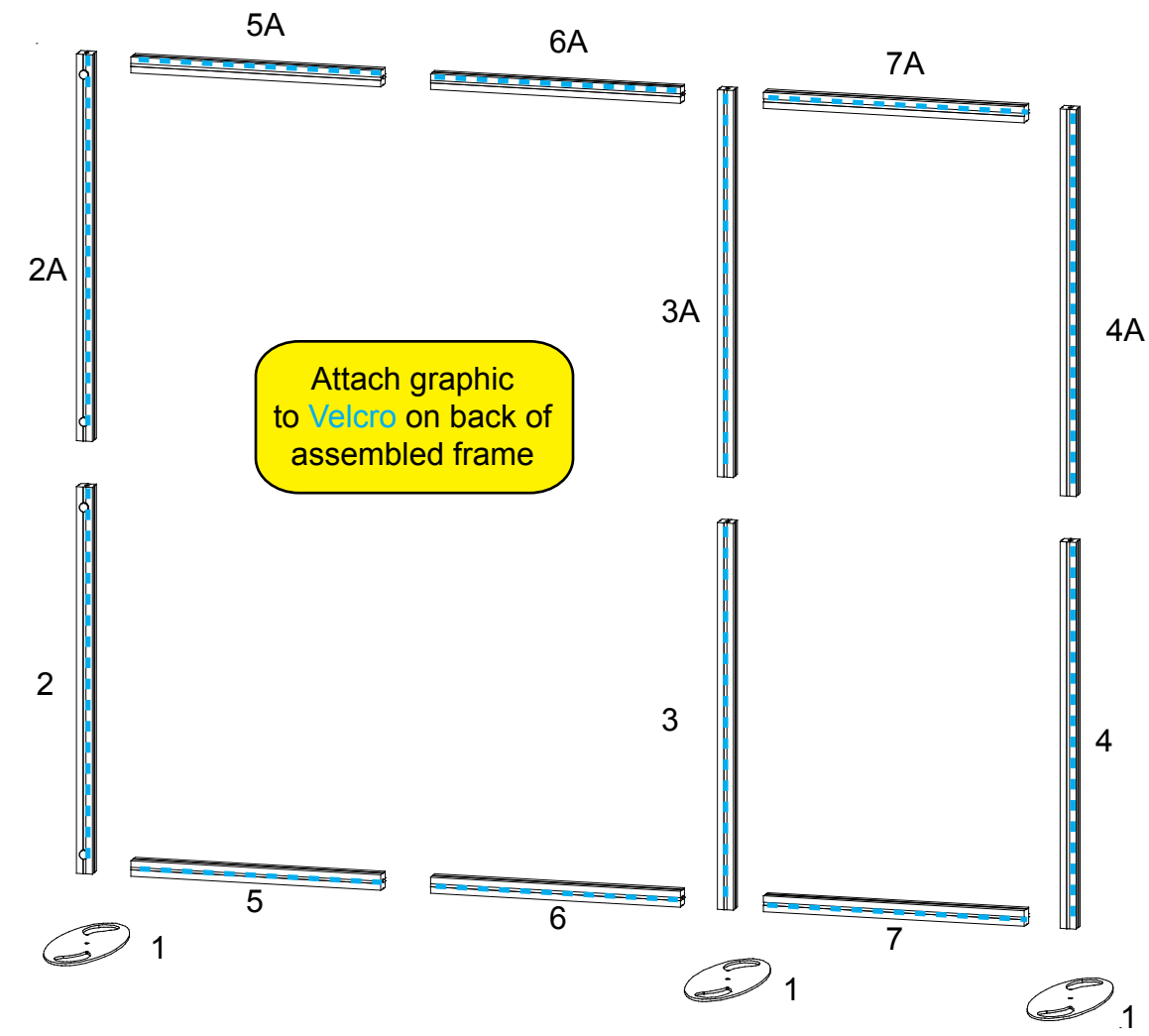
Level 3



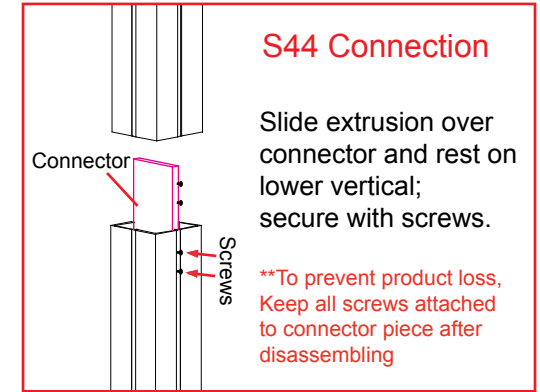
Level 4

Item	Qty.	Description
1	3	Base Plate
2/2A	1/1	44”h S44 Vertical Extrusion
3/3A	1/1	44”h S44 Vertical Extrusion
4/4A	1/1	44”h S44 Vertical Extrusion
5/5A	1/1	28.75”w S44 Horizontal Extrusion
6/6A	1/1	28.75”w S44 Horizontal Extrusion
7/7A	1/1	30”w S44 Horizontal Extrusion

- Steps:
- 1) Connect base plates [1] to bottom of lower verticals [2,3,4].
 - 2) Attach verticals [2-2A], [3-3A], [4-4A] together.
 - 3) Install horizontals [5-6], [5A-6A] between vertical assemblies [2/2A] & [3/3A].
 - 4) Connect horizontals [7,7A] between vertical assemblies [3/3A] & [4/4A].
 - 5) Attach graphics to back of frame using **Velcro**.

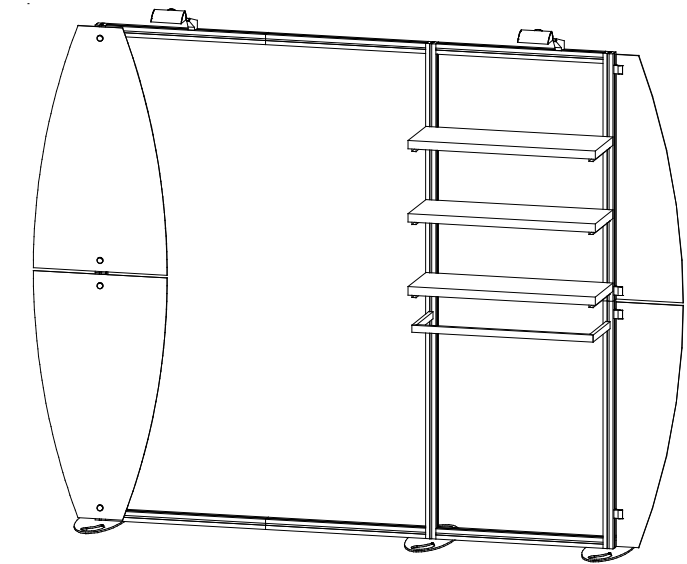
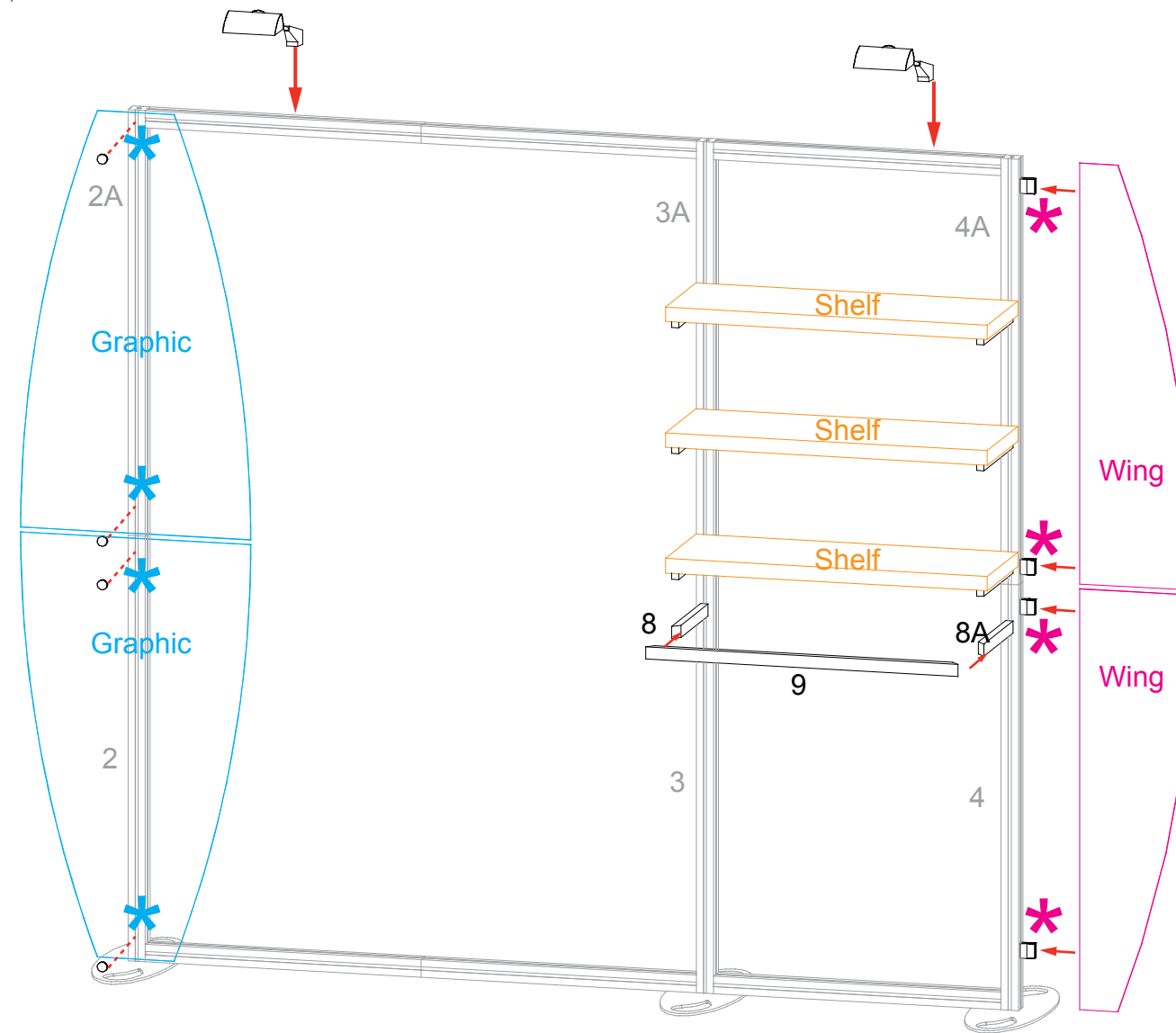


When assembled



Item	Qty.	Description
8/8A	1/1	11.5"w Z32 Horizontal Extrusion
9	1	32.6"w Z32 Horizontal Extrusion

- Steps:
- 1) Connect horizontals [8,8A] to verticals [3,4].
 - 2) Attach horizontal [9] between horizontal [8,8A].
 - 3) Attach shelves to verticals [3A,4A] as shown.
 - 4) Install front graphic to verticals [2/2A] using screw caps. See [Graphic to Post Attachment](#) detail.
 - 5) Attach wings to verticals [4/4A] using A10 clamps. See [A10 Clamp Attachment](#) detail.
 - 6) Connect lights to top of assembly. See [Light Attachment](#) detail.



Step 2

*** Graphic to Post Attachment**

- 1) Slide V4 connector into groove of vertical extrusion. Secure V4 in desired place with set screw in top hole.
- 2) Use Screw Cap to connect standoff graphic to lower hole in V4 connector. Tighten to secure.

*** A10 Clamp Attachment**

- 1) Slide A10 connector into groove of extrusion.
- 2) Tighten set screw to secure A10 to extrusion.
- 3) Insert Infill into Clamp
- 4) Tighten knob to secure wing in place.

*** Light Attachment**

Lock Clip into Groove of Horizontal Extrusion then slide Light onto Clip.